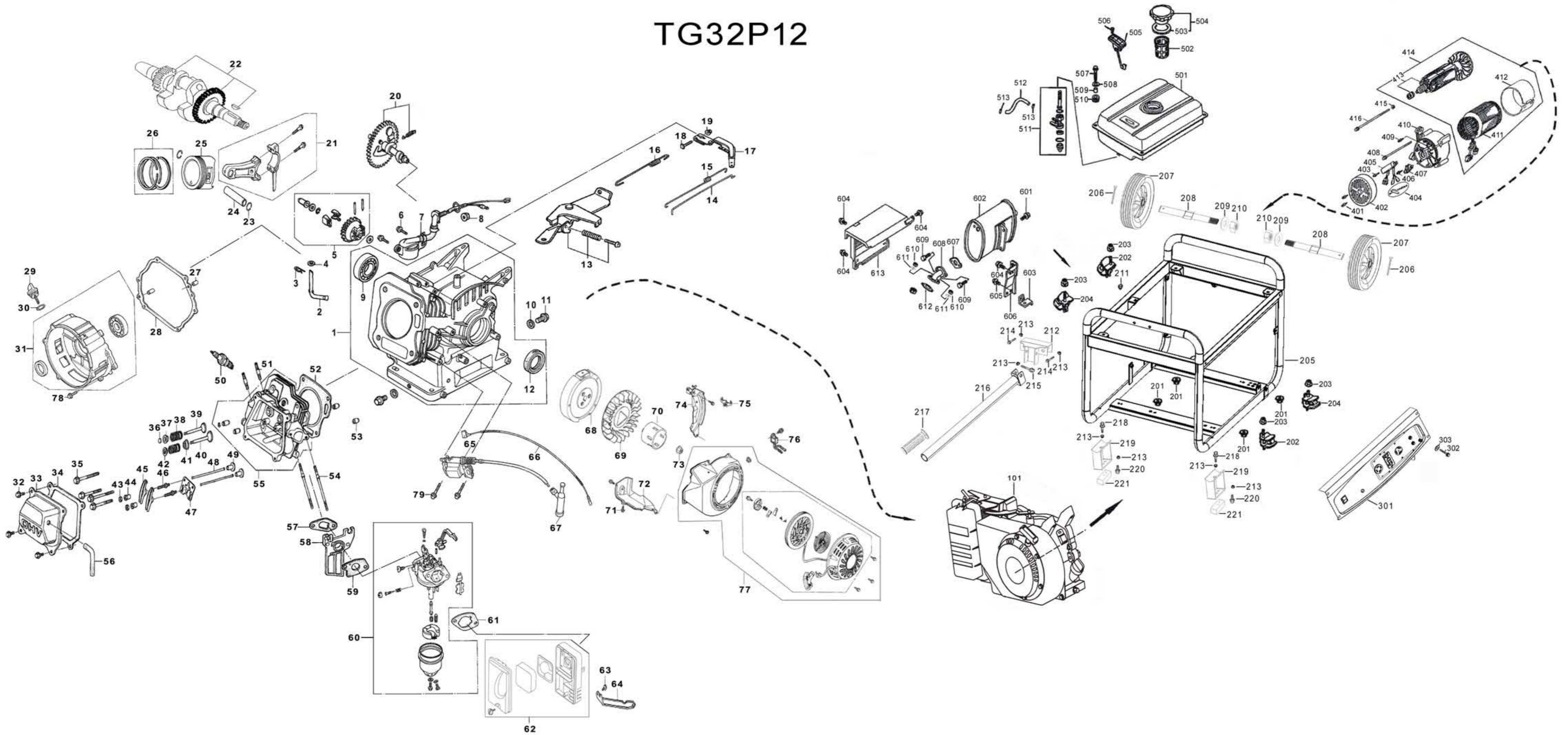


TG32P12



| NO. | PART NUMBER | DESCRIPTION | QTY | NO. | PART NUMBER | DESCRIPTION | QTY | NO. | PART NUMBER | DESCRIPTION | QTY |
|-----|----------------|--------------------------|-----|-----|----------------|---------------------------|-----|-----|----------------|---------------------------|-----|
| 1 | 12000-170-00 | CRANKCASE | 1 | 28 | 11381-170-00 | PKG.CASE COVER | 1 | 55 | 12210-168-00 | HEAK ASSY CYL | 1 |
| 2 | 16541-168-00 | SHAFT,GOVERNOR ARM | 1 | 29 | 15625-168-00 | PKG.OIL FILLER CAP | 1 | 56 | 15721-168-00 | TUBE,BREATHER(ARC) | 1 |
| 3 | 94251-08000-00 | PIN,LOCK,8MM | 1 | 30 | 15600-168-00 | CAP ASSY,OIL FILLER | 1 | 57 | 16212-170-01 | GASKET,INLET | 1 |
| 4 | 94101-168-00 | WASHER,PLAIN | 2 | 31 | 11300-168-00 | COVER ASSY.,CRANK CASE | 1 | 58 | 16211-168-00 | INSULATOR,CARB COMP | 1 |
| 5 | 16506-170-00 | GOVERNOR ASSY | 1 | 32 | 95701-06012-00 | BOLT,FLANGE,6X12 | 4 | 59 | 16221-170-01 | PKG,CARB | 1 |
| 6 | 95701-06016-00 | BOLT,FLANGE,6X16 | 2 | 33 | 12310-168-00 | COVER COMP,HEAD(BLACK) | 1 | 60 | 16100-170-00 | CARBURETOR ASSY | 1 |
| 7 | 15510-168-00 | SWITCH ASSY,OIL LEVEL | 1 | 34 | 12391-168-00 | PKG,HEAD COVER | 1 | 61 | 16269-170-01 | PKG,AIR/C | 1 |
| 8 | 94050-10000-00 | NUT, FLANGE, 10MM | 1 | 35 | 95701-08060-00 | BOLT,FLANGE 8X60 | 4 | 62 | 17250-168-00 | AIR/C | 1 |
| 9 | 96100-168-00 | BEARING BALL RADIAL 6205 | 2 | 36 | 14781-168-00 | ROTATOR,VALVE | 1 | 63 | 95701-06012-00 | BOLT,FLANGE 6X12 | 1 |
| 10 | 90601-10200-00 | WASHER,PLUG DRAIN 10.2MM | 2 | 37 | 14773-168-00 | RETAINER,EXH VALVE SPRING | 1 | 64 | 17239-168-00 | STAY,AIR/C | 1 |
| 11 | 95701-10015-00 | BOLT,PLUG,DRAIN 10x15 | 2 | 38 | 14751-168-00 | SPRING,VALVE | 2 | 65 | 30515-168-00 | IG COIL ASSY | 1 |
| 12 | 91201-168-00 | OIL SEAL 25X41.25X6 | 2 | 39 | 14721-168-00 | VALVE,EXHAUST | 1 | 66 | 36101-168-00 | CORD, STOP SWITCH | 1 |
| 13 | 16580-168-00 | BASE COMP.CONTROL | 1 | 40 | 14711-168-00 | VALVE,INLET | 1 | 67 | 30700-168-00 | CAP ASSY,NOISE SUPPRESSOR | 1 |
| 14 | 16555-168-00 | ROD,GOVERNOR | 1 | 41 | 12209-168-00 | SEAL,VALVE STEM | 1 | 68 | 31110-168-00 | FLYWHEEL COMP | 1 |
| 15 | 16584-168-00 | SPRING,CONTL ADJ | 1 | 42 | 14771-168-00 | RETAINER,IN,VALVE SPRING | 1 | 69 | 19511-168-00 | FAN,COOLING | 1 |
| 16 | 16561-168-00 | SPRING THROTTLE RETURN | 1 | 43 | 90206-168-00 | NUT,PIVOT ADJUSTING | 2 | 70 | 28451-168-00 | STARTING CUP | 1 |
| 17 | 16551-168-00 | ARM,GOVERNOR | 1 | 44 | 14451-168-00 | PIVOT,ROCKER ARM | 2 | 71 | 95701-06012-00 | BOLT,FLANGE 6X12 | 9 |
| 18 | 72880-06021-00 | BOLT,GOV.ARM(T) 6x21 | 1 | 45 | 14431-168-00 | ARM,VALVE ROCKER | 2 | 72 | 19630-168-00 | LEAD WIND COVER | 1 |
| 19 | 94050-06000-00 | NUT,FLANGE 6MM | 1 | 46 | 90012-168-00 | BOLT PIVOT | 2 | 73 | 90201-14000-00 | NUT, SPECIAL, 14M X1.5M | 1 |
| 20 | 14100-168-00 | CAM SHAFT ASSY | 1 | 47 | 50142-168-00 | LIMIT POSITION PANEL | 1 | 74 | 19611-168-00 | PLATE,COMP,SIDE | 1 |
| 21 | 13200-168-00 | CONN ROD ASSY | 1 | 48 | 14410-168-00 | ROD,PUSH | 2 | 75 | 19613-168-00 | CLAMP, CORD | 1 |
| 22 | 13310-168-00 | CRANK SHAFT COMP | 1 | 49 | 14441-168-00 | LIFTER VALVE 8x35 | 1 | 76 | 15520-168-01 | ALERT UNIT,OIL | 1 |
| 23 | 90551-168-00 | CLIP PISTON PIN | 2 | 50 | 98097-168-00 | SPARK PLUG F6TC | 1 | 77 | 28400-170-00 | STARTER ASSY,RECOIL | 1 |
| 24 | 13111-168-00 | PIN,PISTON | 1 | 51 | 90047-08035-00 | BOLT,STUD 8X35 | 2 | 78 | 95701-08032-00 | BOLT,FLANGE 8X32 | 6 |
| 25 | 13101-170-00 | PISTON | 1 | 52 | 12251-170-00 | GASKET,CYLINDER HEAD | 1 | 79 | 90121-06025-00 | BOLT,FLANGE 6X25 | 2 |
| 26 | 13010-170-00 | RING SET,PISTON (STD) | 1 | 53 | 94301-10016-00 | DOWEL,PIN,10X16 | 2 | | | | |
| 27 | 94301-08014-00 | DOWEL,PIN,8X14 | 2 | 54 | 90043-06090-00 | BOLT, STUD, 6X90 | 2 | | | | |

| NO. | PARTS NO. | PARTS NAME | QTY | NO. | PARTS NO. | PARTS NAME | QTY | NO. | PARTS NO. | PARTS NAME | QTY |
|-----|----------------|-------------------------|-----|-----|----------------|-----------------------------|-----|-----|-------------------|----------------------|-----|
| 101 | E0001-170-00 | ENGINE ASSY | 1 | 302 | 95701-06012-00 | BOLT, FLANGE, 6X12 | 6 | 506 | 93800-05010-00 | SCREW 5x10 | 2 |
| 201 | 94050-08000-00 | NUT FLANGE M8 | 4 | 303 | 94101-06000-00 | WASHER PAPER 6MM | 6 | 507 | 95701-06025-00 | BOLT, FLANGE M6X25 | 4 |
| 202 | 77320-168-00 | BOTTOM RUBBER A | 2 | 401 | 95701-05012-00 | BOLT, FLANGE, 5X12 | 3 | 508 | 90486-06000-00 | WASHER 6x22x2 | 4 |
| 203 | 94050-08000-00 | NUT FLANGE M8 | 4 | 402 | 31203-168-00 | BRACKET, RR., MOTOR (BLACK) | 1 | 509 | 90324-168-00 | FITTING BRUSH 6MM | 4 |
| 204 | 77330-168-00 | BOTTOM RUBBER B | 2 | 403 | 95701-05016-00 | BOLT, FLANGE, 5X16 | 2 | 510 | 17613-168-00 | CUSHION, FUEL TAND | 4 |
| 205 | 50310-170-00 | FRAME COMP | 1 | 404 | 19620-168-00 | CONNECTION FLAT | 1 | 511 | 16950-168-00 | COCK ASSY, FUEL | 1 |
| 206 | 94201-03028-00 | PIN, SPLIT 3x28 | 2 | 405 | 30300-T40-00 | VOLTAGE REGULATOR (AVR) | 1 | 512 | 95001-168-00-CARB | TUBE, FUEL (CARB) | 1 |
| 207 | 42710-168-00 | LATEX WHEEL | 2 | 406 | 95701-05016-00 | BOLT, FLANGE, 5X16 | 2 | 513 | 95003-168-00 | CLIP, TUBE (B8) | 2 |
| 208 | 44300-168-00 | AXLE' WHEEL | 2 | 407 | 31160-168-00 | BRUSH ASSY | 1 | 601 | 95701-08016-00 | BOLT, FLANGE, 8X16 | 2 |
| 209 | 90486-14000-00 | WASHER PLAIN 14MM | 2 | 408 | 95701-06165-00 | BOLT FLANGE 6x165 | 4 | 602 | 18310-170-00 | MUFFLER COMP | 1 |
| 210 | 94045-12000-00 | NUT M12x1.75 | 2 | 409 | 95701-05016-00 | BOLT, FLANGE, 5X16 | 1 | 603 | 18382-168-00 | MUFFLER STAY | 1 |
| 211 | 50325-168-00 | RUBBER (FRAME) | 1 | 410 | 31170-168-00 | GENERATOR STAY | 1 | 604 | 95701-08016-00 | BOLT, FLANGE, 8X16 | 6 |
| 212 | 50620-168-00 | IMMOBILITY PIECE BOTTOM | 1 | 411 | 31120-032-00 | STATOR COMP | 1 | 605 | 95701-06012-00 | BOLT, FLANGE, 6X12 | 1 |
| 213 | 94050-06000-00 | NUT, FLANGE M6 | 7 | 412 | 31150-170-00 | STATOR COVER | 1 | 606 | 18383-168-00 | SUPPORTING PLSTE | 1 |
| 214 | 95701-06040-00 | BOLT, FLANGE M6x40 | 2 | 413 | 31130-032-01 | ROTOR, COMP | 1 | 607 | 18381-170-00 | GASKET, MUFFLER | 1 |
| 215 | 95701-06040-00 | BOLT, FLANGE M6x40 | 1 | 414 | 31200-032-01 | MOTOR ASSY., STARTING | 1 | 608 | 18335-168-00 | PIPE, EXH | 1 |
| 216 | 50610-168-00 | HANDLE BRACKET | 1 | 415 | 94102-08000-00 | WASHER, PLAIN (ROTOR) 8MM | 1 | 609 | 95701-06020-00 | BOLT, FLANGE, 6X20 | 2 |
| 217 | 53135-168-00 | RUBBER SHEATH, HANDLE | 1 | 416 | 95701-08220-00 | BOLT, FLANGE (ROTOR) 8x220 | 1 | 610 | 94045-08000-00 | NUT 8MM | 2 |
| 218 | 95701-06040-00 | BOLT, FLANGE M6x40 | 2 | 501 | 17510-T40-01 | TANK COMP, FUEL (BLUE) | 1 | 611 | 94111-08000-00 | WASHER, SPRING 8.5MM | 2 |
| 219 | 50630-168-00 | IMMOBILITY CIRCLE BELOW | 2 | 502 | 15420-168-00 | FUEL FILLER | 1 | 612 | 18381-170-00 | GASKET, MUFFLER | 1 |
| 220 | 95701-06016-00 | BOLT, FLANGE M6x16 | 2 | 503 | 17631-168-00 | PACKING, FUEL FILLER CAP | 1 | 613 | 18320-168-00 | PROTR, OUT MUFFLER | 1 |
| 221 | 60407-168-00 | RUBBER SHEATH | 2 | 504 | 17620-168-01 | CAP COMP, FUEL FILLER | 1 | | | | |
| 301 | 33100-T28-00 | CONTROL PANEL ASSY | 1 | 505 | 17640-168-00 | FUEL SENSOR ASSY | 1 | | | | |