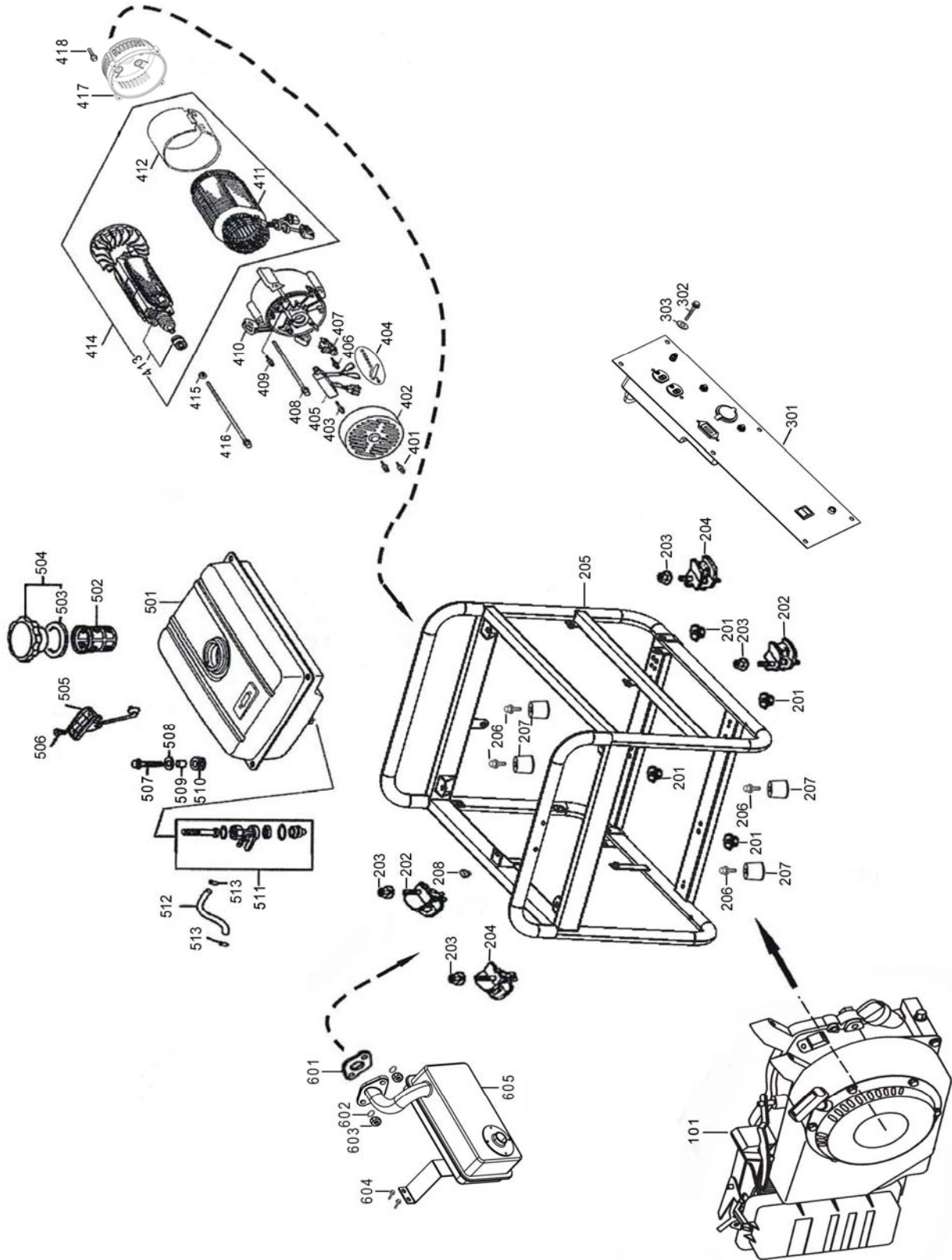


**PART LISTINGS**

**EXPLODED GENERATOR VIEW**



NUMBER	PART NUMBER	DESCRIPTION	QTY
--------	-------------	-------------	-----

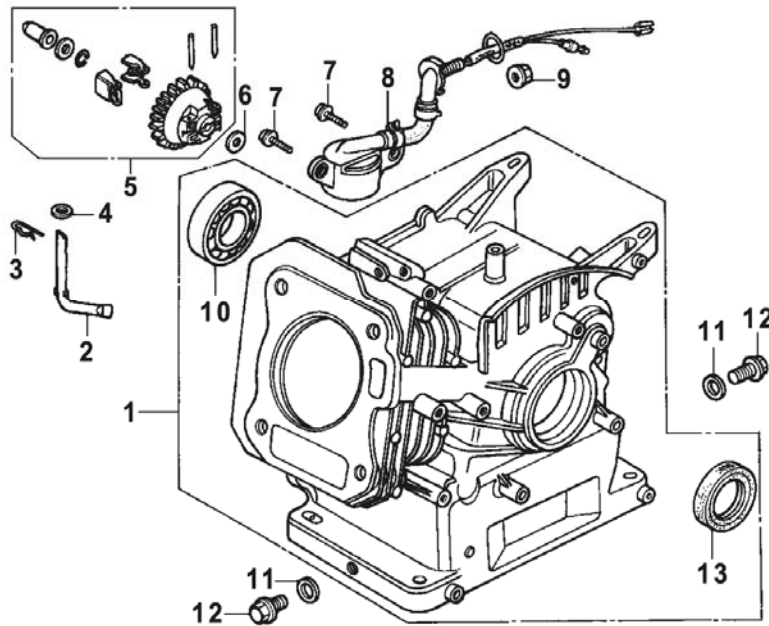
101		GASOLINE ENGINE	1
201	94050-08000-00	NUT FLANGE M8	4
202	77320-168-00	BOTTOM RUBBER A	2
203	94050-08000-00	NUT FLANGE M8	4
204	77330-168-00	BOTTOM RUBBER B	2
205	50310-A17-00	FRAME COMP	1
206	95701-06012-00	BOLT,FLANGE,6X12	4
207	60407-168-00	RUBBER PAD,FRAME(NUT)	4
301	33110-T17-00	CONTROL PANEL CASE	1
302	95701-06012-00	BOLT.FLANG M6×12	6
303	94101-06000-00	WASHER PAPER 6MM	6
401	95701-05012-00	BOLT,FLANGE 5×12	2
402	31203-168-00	BRACKET,RR.,MOTOR(BLACK)	1
403	95701-05016-00	BOLT,FLANGE 5×16	2
404	19620-168-00	CONNECTION FLAT	1
405	30300-168-00	VOLTAGE REGULATOR	1
406	95701-05016-00	BOLT,FLANGE 5×16	1
407	31160-168-00	BRUSH ASSY	1
408	95701-06105-00	BOLT FLANGE(STATOR) 6×105	4
409	95701-05012-00	BOLT,FLANGE 5×12	1
410	31170-168-00	GENERATOR STAY	1
411	31120-A17-00	STATOR COMP	1
412	31150-A17-00	STATOR COVER	1
413	31130-A17-00	ROTOR,COMP	1
414	31200-A17-00	MOTOR ASSY.,STARTING(3.25KW)	1
415	94102-08000-00	WASHER,PLAIN(ROTOR) 8MM	1
416	95701-08200-00	BOLT(ROTOR)8×200	1
417	11310-160-00	ADPT ENG MACH HONDA/HON OHV PLN	1
418	95701-08025-00	BOLT,FLANGE 8X25	4
501	17510-T17-00	TANK COMP,FUEL(BLUE)	1
502	15420-168-00	FUEL FILLER	1
503	17631-168-00	PACKING,FUEL FILLER CAP	1
504	17620-168-01	CAP COMP,FUEL FILLER	1
505	17640-168-00	FUEL SENSOR ASSY	1
506	93800-05010-00	SCREW, FLAT, 5×10	2
507	95701-06025-00	BOLT, FLANGE, 6×25	4
508	90486-06000-00	WASHER, TANK CUSHION	4
509	90324-168-00	FITTING BRUSH 6MM	4
510	17613-168-00	CUSHION,FUEL TAND	4
NUMBER	PART NUMBER	DESCRIPTION	QTY

# ETQ

**EASTERN TOOLS & EQUIPMENT INC**      **Tele: (888)908-6200**      **Web Site: easterntools.com**

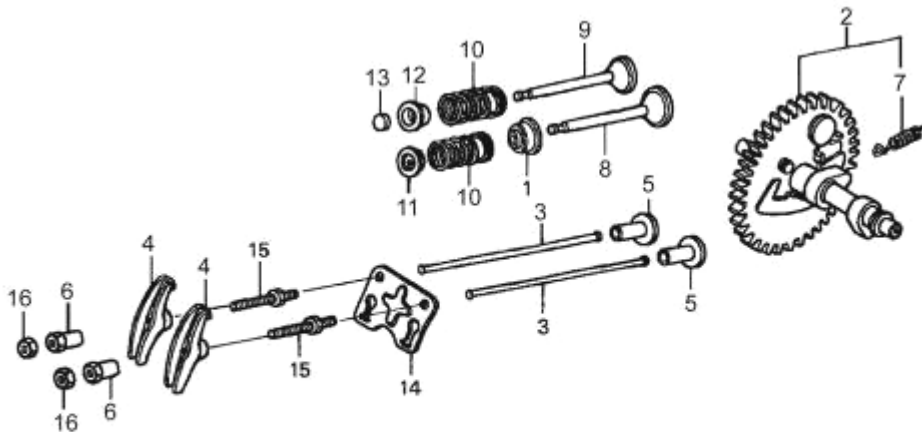
511	16950-168-00	COCK ASSY.FUEL	1
512	95001-168-00	TUBE,FUEL 4.5×115	1
513	95003-168-00	CLIP,TUBE (B8)	2
601	18381-170-00	GASKET,MUFFLER	1
602	94111-08000-00	WASHER,SPRING 8.5MM	2
603	94050-168-00	NUT 8MM	2
604	95701-06012-00	BOLT,FLANGE 6X12	2
605	18310-160-00	MUFFLER COMP	1

**CRANKCASE**



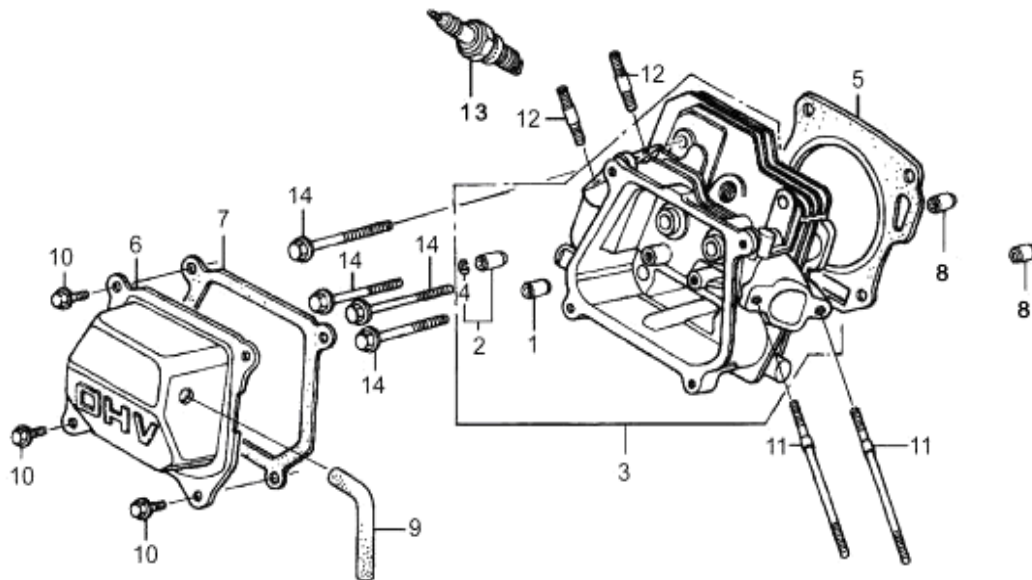
NUMBER	PART NUMBER	DESCRIPTION	QTY
1	12000-160-00	CRANKCASE	1
2	16541-160-00	SHAFT,GOVERNOR ARM	1
3	94251-08000-00	PIN,LOCK,8MM	1
4	94101-168-00	WASHER,PLAIN	1
5	16506-168-00	GOVERNOR ASSY	1
6	94101-168-00	WASHER,PLAIN	1
7	95701-06016-00	BOLT,FLANGE,6X16	2
8	15510-168-00	SWITCH ASSY,OIL LEVEL	1
9	94050-10000 -00	NUT, FLANGE, 10MM	1
10	96100-168-00	BEARING BALL RADIAL 6205	1
11	90601-10200-00	WASHER,PLUG DRAIN 10.2MM	2
12	95701-10015-00	BOLT,PLUG,DRAIN 10×15	2
13	91201-160-00	OIL SEAL	1

**PUSH ROD & VALVE ROCKER**



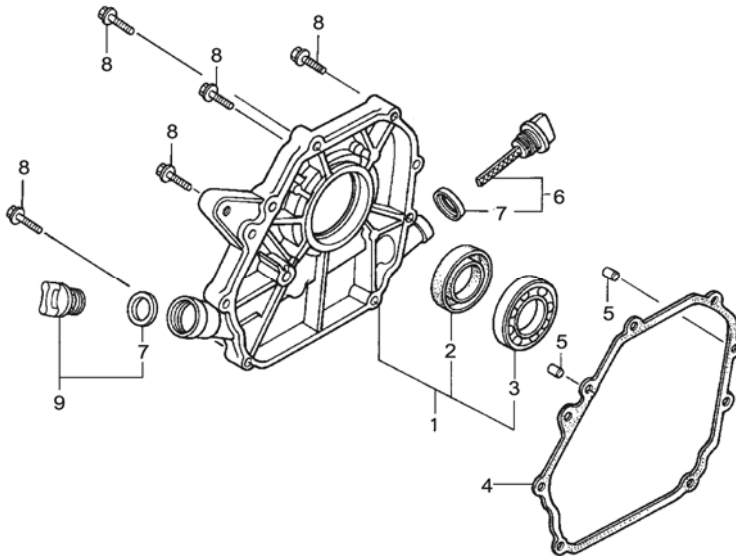
NUMBER	PART NUMBER	DESCRIPTION	QTY
1	12209-168-00	SEAL,VALVE STEM	1
2	14100-160-00	CAM SHAFT ASSY	1
3	14410-160-00	ROD,PUSH	2
4	14431-168-00	ARM,VALVE ROCKER	2
5	14441-163-00	LIFTER VALVE 8×30.5	1
6	14451-168-00	PIVOT,ROCKER ARM	2
7	14568-160-00	SPG,WEIGHT RETURN	1
8	14711-160-00	VALVE,INLET	1
9	14721-160-00	VALVE,EXHAUST	1
10	14751-168-00	SPRING,VALVE	2
11	14771-168-00	RETAINER,IN.VALVE SPRING	1
12	14773-168-00	RETAINER,EXH VALVE SPRING	1
13	14781-168-00	ROTATOR,VALVE	1
14	50142-160-00	LIMIT POSITION PANEL	1
15	90012-168-00	BOLT PIVOT	2
16	90206-168-00	NUT,PIVOT ADJUSTING	2

**CYLINDER HEAD & CYLINDER HEAD COVER ASSEMBLY**



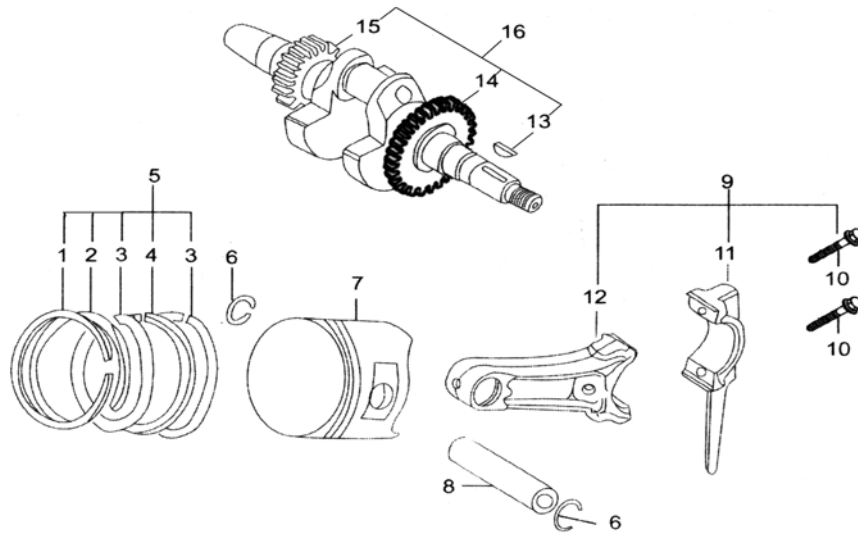
NUMBER	PART NUMBER	DESCRIPTION	QTY
1	12204-160-00	GUIDE.IN,VALVE	1
2	12205-160-00	GUIDE ,EXH VALVE	1
3	12210-160-00	HEAK ASSY CYLN	1
4	12216-160-00	CLIP, VALVE GUIDE	1
5	12251-160-00	GASKET,CYLINDER HEAD	1
6	12310-170-00	COVER COMP,HEAD(BLACK)	1
7	12391-168-00	PKG,HEAD COVER	1
8	94301-10016-00	DOWEL,PIN,10X16	2
9	15721-168-00	TUBE,BREATHER(ARC)	1
10	95701-06012-00	BOLT,FLANGE,6X12	4
11	90043-06094-00	BOLT, STUD. 6X94	2
12	90047-08035-00	BOLT,STUD 8X35	2
14	95701-08060-00	BOLT,FLANGE 8X60	4
13	98097-168-00	SPARK PLUG F6TC	1

**CRANKCASE COVER ASSEMBLY**



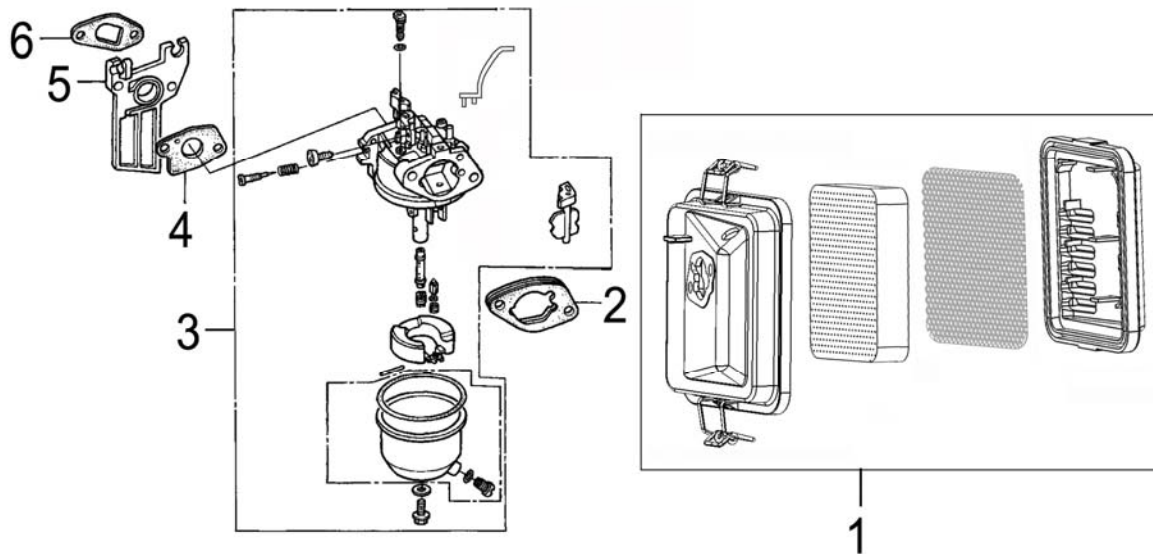
NUMBER	PART NUMBER	DESCRIPTION	QTY
1	11300-E60-00	COVER ASSY.,CRANK CASE	1
2	91201-160-00	OIL SEAL	1
3	96100-168-00	BEARING BALL RADIAL 6205	1
4	11381-160-00	PKG,CASE COVER	1
5	94301-08014-00	DOWEL,PIN,8X14	2
6	15600-168-00	CAP ASSY,OIL FILLER	1
7	15625-168-00	PKG,OIL FILLER CAP	2
8	95701-06028-00	BOLT,FLANGE 6X28	7
9	15620-168-00-DL	CAP ASSY., OIL FILLER	1

**CRANKSHAFT, PISTON & TIE-ROD**



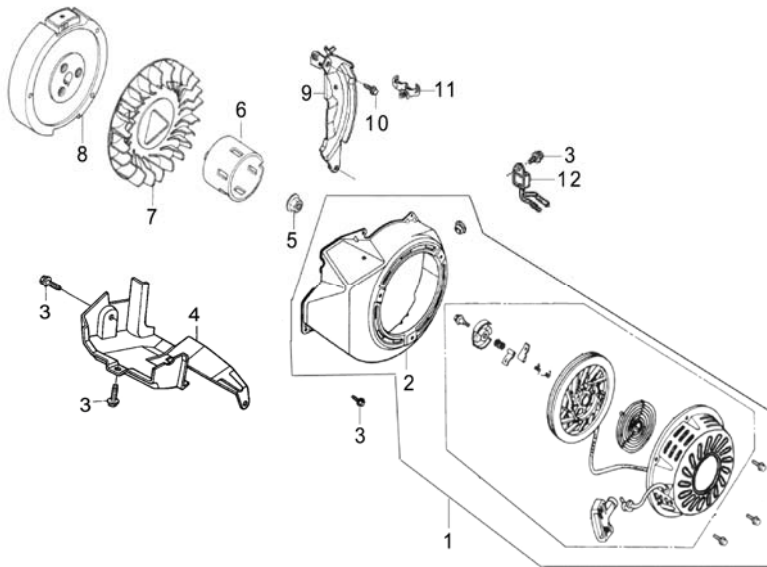
NUMBER	PART NUMBER	DESCRIPTION	QTY
1	13011-160-00	PISTON RING (A)	1
2	13012-160-00	PISTON RING (B)	1
3	13014-160-00	SIDE RING	2
4	13013-160-00	WAVE RING	1
5	13010-160-00	RING SET,PISTON (STD)	1
6	90551-168-00	CLIP PISTON PIN 13mm	2
7	13101-160-00	PIN,PISTON	1
8	13111-160-00	PIN,PISTON	1
9	13200-160-00	CONN ROD ASSY	1
10	90001-07032-00	BOLT,CONN.ROD 7×32	2
11	13202-160-00	TIE-ROD COVER	1
12	13201-160-00	TIE-ROD	1
13	90741-168-00	WOODRUFF KEY 5×5×33	1
14	23460-160-00	DRIVE GEAR	1
15	23470-160-00	TIMING DRIVING GEAR	1
16	13310-160-00	CRANK SHAFT COMP	1

**CARBURETOR ASSEMBLY & AIR CLEANER ASSEMBLY**



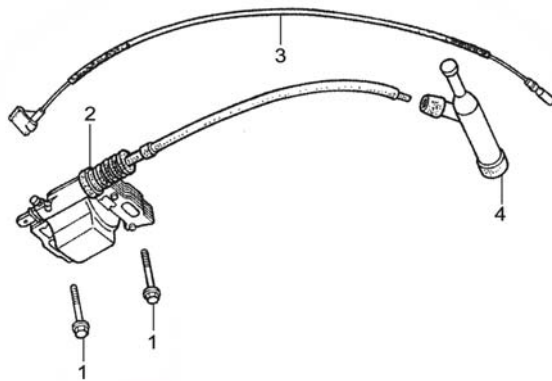
NUMBER	PART NUMBER	DESCRIPTION	QTY
1	17250-160-00	AIR/C	1
2	16269-170-01	PKG,AIR/C	1
3	16100-160-00	CARBURETOR ASSY	1
4	16221-170-01	PKG,CARB	
5	16211-160-00	INSULATOR,CARB COMP	1
6	16212-170-01	GASKET,INLET	1

**FLYWHEEL & RECOIL STARTER**



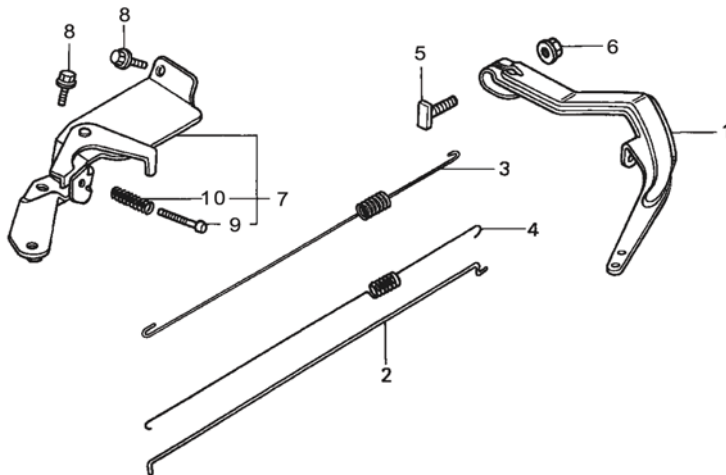
NUMBER	PART NUMBER	DESCRIPTION	QTY
1	28400-160-00	STARTER ASSY,RECOIL	1
2	19610-160-00	COVER COMP.,FAN	1
3	95701-06012-00	BOLT,FLANGE 6X12	10
4	19630-160-00	LEAD WIND COVER	1
5	90201-14000-00	NUT, SPECIAL, 14MM	1
6	28451-160-00	STARTING CUP	1
7	19511-160-00	FAN,COOLING	1
8	31110-160-00	FLYWHEEL COMP	1
9	19611-160-00	PLATE,COMP,SIDE	1
10	95701-06012-00	BOLT,FLANGE 6X12	1
11	19613-168-00	CLAMP, CORD	1
12	15520-068-01	ALERT UNIT,OIL	1

**IGNITION COIL**



NUMBER	PART NUMBER	DESCRIPTION	QTY
1	90121-06025-00	BOLT,FLANGE 6X25	2
2	30515-168-00	IG COIL ASSY	1
3	36101-168-00	CORD, STOP SWITCH	1
4	30700-168-00	CAP ASSY,NOISE SUPPRESSOR	1

**REGULATING CONTROL SYSTEM**



NUMBER	PART NUMBER	DESCRIPTION	QTY
1	16551-168-00	ARM,GOVERRNOR	1
2	16555-160-00	ROD,GOVERRNOR	1
3	16562-160-00	SPRING THROTTLE RETURN	1
4	16584-160-00	SPRING,CONTL ADJ	
5	72880-06021-00	BOLT,GOV.ARM(T) 6×21	1
6	94050-06000-00	NUT,FLANGE 6MM	1
7	16580-160-00	BASE COMP,CONTROL	1
8	95701-06012-00	BOLT,FLANGE,6X12	2
9	93500-05035-00	SCREW,PAN 5×35	1
10	16561-168-00	SPRING GOVERRNOR	1

**LIMITED WARRANTY**